

Superior Solutions For Sheet Metal Fabricators

Mate Type III Tooling For Salvagnini Punch Presses



mate.com/salvagnini

Part Number 2010

Worldwide headquarters:
1295 Lund Boulevard, Anoka, Minnesota 55303 USA
Tel 763.421.0230 Fax 763.421.0285 mate.com

MATE[®]
M
**PRECISION
TOOLING**

TRUSTED | QUALITY | SERVICE | SOLUTIONS

CONTENTS

- Tooling Overview
 - Mate Type III Tooling System 2
- Punches, Strippers and Dies
 - 6 mm 5
 - 10.5 mm 5
 - 33 mm 5
 - 60 mm Auto Index 6
 - 60 mm Blank Holder 6
 - 70 x 90 mm Type 70 (3.1) 7
 - 70 x 90 mm Type 90 (3.0) 7
 - 90 x 90 mm Type 90 (3.0) 7
 - Fully Guided Perforating Assembly 8
 - Slug Free[®] Dies 10
- Special Shapes
 - Common Special Shapes 11
 - Applications 12
- Special Angle Settings 12
- Cluster Punch 13
- Special Applications 15
 - Card Guide 16
 - Countersink 17
 - Embossing 18
 - Emboss – Beading 19
 - Extrusion–Pre-Pierce & Form . . 20
 - Knockout 21
 - Lance and Form 22
 - Louver 23
 - Shearbutton 24
 - Sheetmarker[™] 25
 - Thread Form 26
- Reference Data
 - Die Clearance and Hole Quality 27
 - Calculating Punching Force. . . . 28



MATE TYPE III TOOLING SYSTEM FOR SALVAGNINI PUNCH PRESSES

Mate's high speed steel punches, dies and strippers compliment Salvagnini's high performance punching system like no other. Our complete range of standard, special shapes and forming assemblies available to customer specifications expand Salvagnini's complete metal fabricating system to the fullest.

Mate's Type III tooling is compatible with Salvagnini machines and is available in the following station sizes:

Salvagnini Poitions	Station Size	Comments
1-20 and 41-76 (7 Ton)	6 mm Size	Rounds Only
	10.5 mm Size	Rounds Only
	33 mm Size	
	33 mm Size - diagonal up to 1.023(26.00)	Fully Guided Perforating Assembly
30-35 (12 Ton)	60 mm Size	
	60 mm Size	Auto-Index
21-24 (26 Ton)	70x90 Size	Type 70 (3.1)
	90x90 Size	Type 90 (3.0)

Punches:

- Premium Powdered Metal Based Tool Steel in 6mm, 10.5mm, all 33mm, and smaller stations. High Speed Steel standard on 60mm, 70x90, and 90x70 stations. Both steel types provide incredibly long tool life under even the most extreme punching conditions
- High abrasion resistance, high anti-galling properties, plus toughness against chipping.
- Fully guided perforating tool has punch size range to 26mm.
- A punch chuck is available for punch sizes 10.5mm and under.
- Punches can be resharpened up to 0.157"(4.00mm) and dies to 0.060"(1.50mm), yielding many additional spans of production. An unlimited variety of special shape punches can be made to your specifications.

Strippers:

- Stripper openings are precise to match punch dimensions.
- Fully guided perforating stripper has unique design to support punch point throughout the punching cycle.
- The stripper is assembled into the upper cartridge.

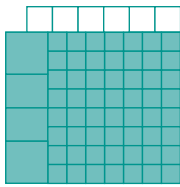
Dies:

- High speed steel dies in 33mm stations (A, B and C).
- A wide variety of special shapes are available to a clearance of your choice, as well as standard shapes.
- Specify die clearance as punch size PLUS total clearance, NOT as clearance per side.
- Brushes in D, E and F stations prevent marking.
- SLUG FREE[®] dies are available as an option for all Type III stations at no additional cost.

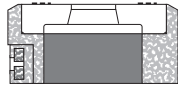
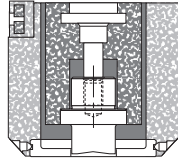
Dimensions in inches (millimeters)



MATE TYPE III TOOLING SYSTEM FOR SALVAGNINI PUNCH PRESSES



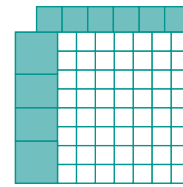
**SALVAGNINI
POSITIONS
P AND PR
12 TON**



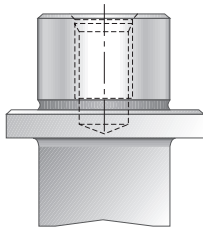
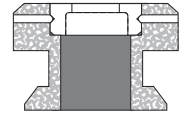
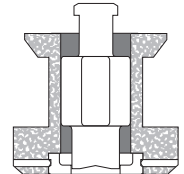
THE SALVAGNINI PUNCHING SYSTEM

The architecture of the Salvagnini press is unlike any other NC punch press on the market. It is an aggregate of independently programmable punch presses in one punching head. This allows for the modular nature of the punching tools which can be unlocked hydraulically and changed quickly.

Punching operations can be programmed to occur simultaneously, performing like a cluster punch; or in sequence, so that punching and forming operations can occur within the same punching cycle. Some stations are capable of programmable rotation. With the addition of the right angle shear and external sheet rotator, Salvagnini becomes a very flexible and productive sheet metal fabricating system.



**SALVAGNINI
POSITIONS
1-20, 41-76
7 TON**

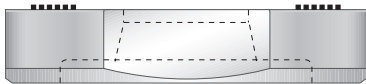


PUNCHES

Salvagnini tool system punches are made of either premium Powder Metal Tool Steel or premium High Speed Steel which delivers incredibly long tool life under even the most extreme punching conditions. High abrasion resistance, high anti-galling properties, plus excellent hardness, means excellent punch life with little degeneration in punched part quality.

Depending which station, punch size can be inscribed up to the dimensions of a 90mm square. A punch chuck is available for diameters up to 10.5mm.

Punches can be resharpened up to .157(4.0) and dies to .060(1.5), yielding many additional spans of production. An infinite variety of special shape punches can be made to your specifications.

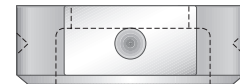


STRIPPER

The stripper is assembled into the upper cartridge.

SLUG FREE® DIES

Are available as an option for all Type III stations.



Dimensions in inches (millimeters)

MATE TYPE III TOOLING SYSTEM FOR SALVAGNINI PUNCH PRESSES

POSITIONS 1 - 20, 41 - 76

Single action 7 ton presses with a maximum tool diameter of 33mm:
Punches, dies and strippers to 33.0mm diameter/diagonal
Special shapes

EI EMBOSS STATIONS (OPTIONAL)

Some positions can be fitted for low profile forming operations (max.height 6.5 mm) where no scrap is generated.

POSITIONS 21 - 24

Single action 26 ton presses with a maximum station size of 90 x 90mm:
Punches, strippers, dies to 70 x 90mm
Punches, strippers, dies to 90 x 90mm
Punch supports for positions 21-24
Special shapes
Cluster Punches

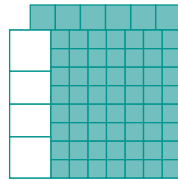
POSITIONS 30 - 35

BU EMBOSS OPTION

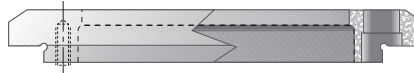
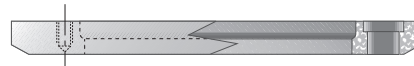
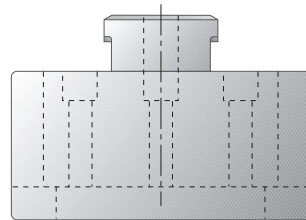
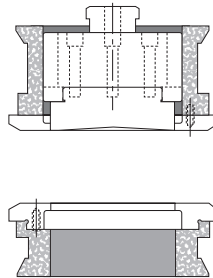
Double action 8 + 7 ton presses that can be set up for forming operations. Maximum form height 16 mm where no scrap is generated.
Forming tools

PR OPTION

Optional auto rotation 12 ton punching units that can be installed in punching positions 30-35.
Punches, die and strippers to 60.0mm diameter/diagonal



SALVAGNINI POSITIONS 21-24 26 TON



DIES

An infinite variety of special shapes are available to a clearance of your choice, as well as standard shapes - rounds, rectangles, ovals and squares. Specify clearance as punch size PLUS clearance, NOT as clearance per side. Mate provides three options for punching corners in acute angles, reducing die wear and breakage, see special shapes page 11.

SPECIAL ASSEMBLIES

Mate special assemblies for Salvagnini complement and expand upon the capabilities of the Salvagnini punching system. Mate builds special assemblies for virtually any application such as threadform, louver, beading, embossing, stamping, knockout and cluster punch assemblies. Special assemblies also perform slitting, shearing, multiple parts on sheet (shake-and-break) and tabbing functions.

From a drawing showing your application, Mate will manufacture a special assembly to your design. The forming tool pages in this catalog will help you specify your requirements. Mate will work with you in obtaining the results you want.

In addition to special assemblies, multi-use tools are also available. Used in conjunction with the optional PR stations, the corner rounding, notching and quad radius tools are like several tools in one providing greater value for your tooling dollar.

Type III (H3 HEAD)

	30	31	32	33	34	35
90 x 90	76	68	60	56	52	48
24	75	67	59	55	51	47
	74	66	58	54	50	46
90 x 70	73	65	57	53	49	45
23	72	64	20	16	12	8
	71	63	19	15	11	7
90 x 70	70	62	18	14	10	6
22	69	61	17	13	9	5
	68	60	16	12	8	4
90 x 90	67	59	15	11	7	3
21	66	58	14	10	6	2
	65	57	13	9	5	1

Mate Type III tooling is compatible with Salvagnini tool types S4, P9, S6, P5, S8, S9, and SA.

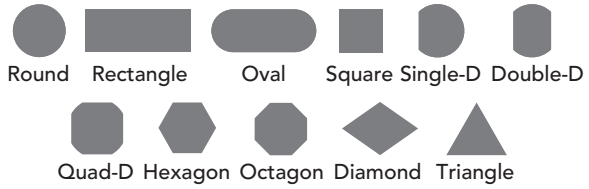


PUNCHES, STRIPPERS AND DIES

	30	31	32	33	34	35
90 x 90	76	68	60	56	52	48
24	75	67	59	55	51	47
70 x 90	74	66	58	54	50	46
23	73	65	57	53	49	45
70 x 90	72	64	20	16	12	8
22	71	63	19	15	11	7
90 x 90	70	62	18	14	10	6
21	69	61	17	13	9	5

SALVAGNINI POSITIONS 1-20, 41-76 7 TON AND POLI PUNCH STATION

STANDARD SHAPES



6 mm Size
 >.030-.236(0.76-6.0)
 ROUND ONLY

10.5mm Size
 .237-.413(6.00-10.5)
 ROUND ONLY

33mm Size
 UP TO 1.299(33.0)
 DIAMETER OR
 DIAGONAL

included with punch chuck
Lock Screw
 VINSSS

included with punch chuck
Lock Screw
 VINSSS

Insert Punch
 ROUND
 PAPA0A

Insert Punch
 ROUND
 PAPB0A

Punch Chuck
 VINPS010

Punch Chuck
 VINPS020

Punch
 ROUND
 PAPC0A
 SHAPES
 PAPC_A

*Round strippers will be provided on narrow width punches to prevent shoulder of the punch from interfering with the stripper.

Stripper
 ROUND
 S6PA0A

Stripper
 ROUND
 S6PB0A

Stripper
 ROUND
 S6PC0A
 SHAPES
 *S6PC_A

Die
 ROUND
 DAPA00

Die
 ROUND
 DAPB00

Die
 ROUND
 DAPC00
 SHAPE
 DAPC_0

Poli Punch Stripper for all sizes
 ROUND
 S6PP0A
 SHAPES
 S6PP_A

Die Shim for all sizes
 MSP3
 Package 6 each:
 .004(0.10), .008(0.20),
 .012(0.30)

Mate's 6.0mm and 10.5mm inserts are NOT compatible with Salvagnini's punch chuck.

General Add-Ons:
 Radius Corner
 Special Angle Settings

Add 10% to punch, stripper, and die
 Add 25% to punch, stripper, and die

Maxima™ or Nitride Add-Ons
 6.00mm and 10.50mm size inserts
 33mm Size
 60mm Size
 70mm x 90mm Size or
 90mm x 90mm Size

Small Diameter Round Tools
 Diameter 0.031(0.76) to 0.061(1.55)
 Diameter 0.062(1.56) to 0.092(2.34)

Add 25% to punch, stripper and die
 Add 10% to punch, stripper and die

Narrow Width Shaped Tools
 Widths under 0.125(3.20)

Add 25% to punch, stripper, and die



SLUG FREE® DIES AVAILABLE!!

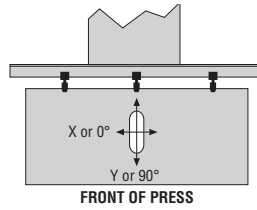
Dimensions in inches (millimeters)

PUNCHES, STRIPPERS AND DIES

	30	31	32	33	34	35
90 x 90	76	68	60	56	52	48
24	75	67	59	55	51	47
70 x 90	74	66	58	54	50	46
23	73	65	57	53	49	45
70 x 90	72	64	20	16	12	8
22	71	63	19	15	11	7
90 x 90	70	62	18	14	10	6
21	69	61	17	13	9	5

SALVAGNINI POSITIONS 30-35 12 TON

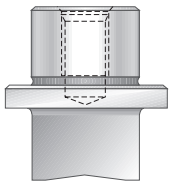
(These positions can be auto index if the press is configured for auto index)



PUNCHING ORIENTATION...
For shapes other than round or square, punching orientation must be specified when ordering punches, strippers or dies.

60mm Size

UP TO 2.362(60.00)
DIAMETER OR
DIAGONAL

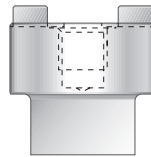


Punch

ROUND
PAPD0A
SHAPES
PAPD_A

60mm Size

for use in Salvagnini
Blank Holder style
holders
Up To 1.669(42.40)
DIAMETER OR
DIAGONAL



Punch

ROUND
PAPX0A
SHAPES
PAPX_A

Stripper

ROUND
S6PD0A
SHAPES
S6PD_A



Stripper

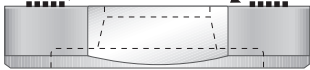
ROUND
S6PX0A
SHAPES
S6PX_A



Die comes with brushes
already installed. Order
replacements separately.

Die

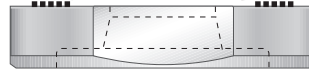
ROUND
D0PD00
SHAPES
D0PD_0



Die comes with brushes
already installed. Order
replacements separately.

Die

ROUND
D0PD00
SHAPES
D0PD_0



Brush

MIS61188
(3 Minimum)

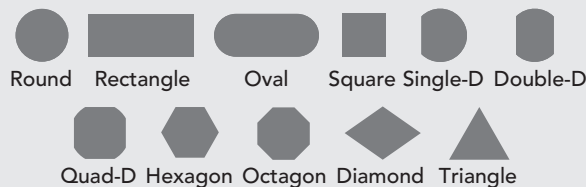


Brush

MIS61188
(3 Minimum)



STANDARD SHAPES



SLUG FREE® DIES
AVAILABLE!!

Dimensions in inches (millimeters)



60mm PUNCHES, STRIPPERS AND DIES

6

PUNCHES, STRIPPERS AND DIES

7

PUNCHES, STRIPPERS & DIES FOR TYPE 70 & TYPE 90 CARTRIDGES

SALVAGNINI POSITIONS 21-24 26 TON

	30	31	32	33	34	35
70 x 90 24	76	68	60	56	52	48
	75	67	59	55	51	47
70 x 90 23	74	66	58	54	50	46
	73	65	57	53	49	45
70 x 90 22	72	64	20	16	12	8
	71	63	19	15	11	7
70 x 90 21	70	62	18	14	10	6
	69	61	17	13	9	5

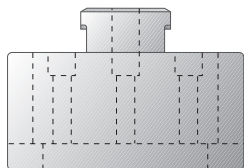
Type 70

To determine if Type 3.0 or 3.1 is needed, verify what stations are in the cartridge.
 Type 90 Cartridge Type 70 Cartridge
 (1) 70x90 Type 3.0 (2) 70x90 Type 3.1
 (1) 90x90 Type 3.0

	30	31	32	33	34	35
90 x 90 24	76	68	60	56	52	48
	75	67	59	55	51	47
70 x 90 23	74	66	58	54	50	46
	73	65	57	53	49	45
70 x 90 22	72	64	20	16	12	8
	71	63	19	15	11	7
90 x 90 21	70	62	18	14	10	6
	69	61	17	13	9	5

Type 90

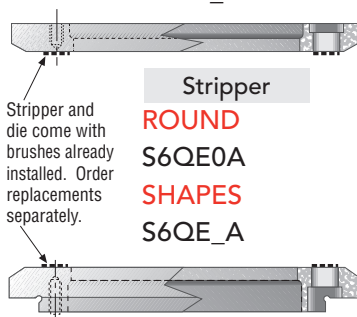
Type 70 (3.1)
70x90 mm Size
2.755x3.543(70.0x90.0)



Punch Support
VSPES

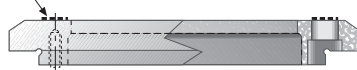


Punch
ROUND
PAPE0A
SHAPES
PAPE_A



Stripper and die come with brushes already installed. Order replacements separately.

Stripper
ROUND
S6QE0A
SHAPES
S6QE_A



Die*
ROUND
D2QE00
SHAPES
D2QE_0



Brush
MIS61188
(3 minimum)

Type 90 (3.0)
70x90 mm Size
2.755x3.543(70.0 x 90.0)



Punch Support
VSPES

Punch
ROUND
PAPE0A
SHAPES
PAPE_A

Stripper
ROUND
S6PE0A
SHAPES
S6PE_A

Die*
ROUND
D2PE00
SHAPES
D2PE_0

Brush
MIS61188
(3 minimum)



Punch Support
VSPFS

Punch
ROUND
PAPFOA
SHAPES
PAPF_A

Stripper
ROUND
S6PFOA
SHAPES
S6PF_A

Die*
ROUND
D2PF00
SHAPES
D2PF_0

Brush
MIS61188
(3 minimum)

* Dies can also be ordered in A2 material.
Part numbers will begin with D0 instead of D2. Prices are the same. A2 recommended for clearances <= .016(0,40).

Die Shims for 70x90mm/90x90mm must be purchased from Salvagnini.

Small Brushes
MIS61161 (8 minimum)
Ball Plunger Ejector
BPL00005

SLUG FREE® DIES
AVAILABLE!!

Dimensions in inches (millimeters)



FULLY GUIDED PERFORATING ASSEMBLY

SALVAGNINI POSITIONS 1-20, 41-76 7 TON
AND POLI PUNCH STATION - 1.023(26.0) MAXIMUM

	30	31	32	33	34	35
90 x 90	76	68	60	56	52	48
24	75	67	59	55	51	47
70 x 90	74	66	58	54	50	46
23	73	65	57	53	49	45
70 x 90	72	64	20	16	12	8
22	71	63	19	15	11	7
90 x 90	70	62	18	14	10	6
21	69	61	17	13	9	5



Insert Punch

ROUND
PAPS0A
SHAPES
PAPS_A



Fully Guided Stripper

ROUND
S2PN0A
SHAPES
S2PN_A



Die

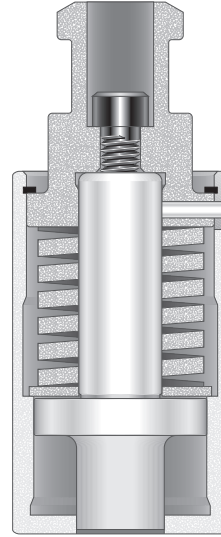
ROUND
DAPC00
SHAPES
DAPC_0



Die Shim

MSP3
Package 6 each: .004(0.1),
.008(0.2), .012(0.3)

RECOMMENDED
FOR
POLI PUNCH STATION



This tool is used in the 33 mm station but has a maximum punch size capability of 1.023(26.0) diameter/diagonal.

Perforating Assembly

ROUND

SHAPES

Tang Assembly

VCPCS

Tang assembly includes tang, spring, washer, draw bolt and retaining ring. Does NOT include insert punch or fully guided stripper.

VPPC00SW

Spring Washer (10 minimum)

MIS97287

Retaining Ring (10 minimum)

VDPC0

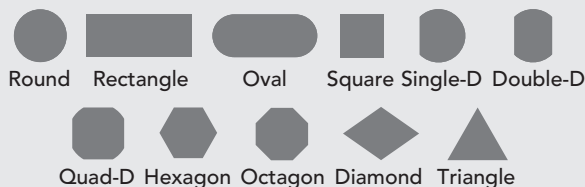
Assembly/Disassembly Fixture

Cartridge Stripper*

V0PC00US

* NOT FOR USE IN POLI PUNCH STATION

STANDARD SHAPES




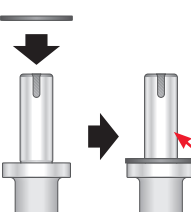
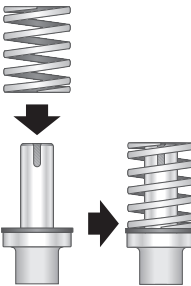
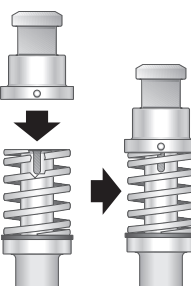
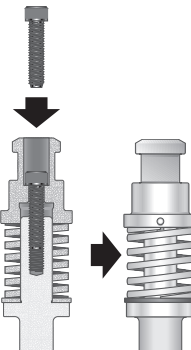
SLUG FREE® DIES
AVAILABLE!!

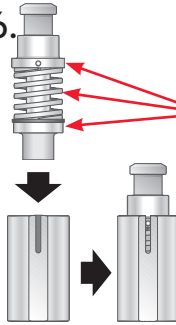

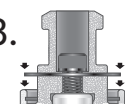
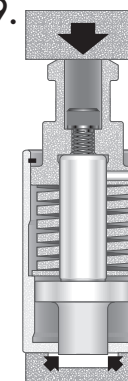
Dimensions in inches (millimeters)



FULLY GUIDED PERFORATING ASSEMBLY INSTRUCTIONS

Assembly instructions:

1.  Stand punch on flat surface so that tapped hole and angle orientation slot are visible.
2.  Place spring washer over punch shank onto punch shoulder. Apply lubricant to punch shank.
 - Use Mobil grease C-MP or equivalent.
3.  Place spring over punch shank on top of washer.
4.  Place tang onto punch shank so that internal locating pin is visually in line with punch angle orientation slot.
5.  Insert 6mm socket head cap screw through tang and lightly tighten to the punch with a 5mm hex wrench - approximately 8 revolutions. Note: cap screw must not be over tightened at this step. Over tightening may result in misalignment during assembly.

6.  Apply lubricant to outside surfaces of punch shoulder, spring, and tang flange.
 - Use Mobil grease C-MP or equivalent.
 Insert assembly into the stripper so that the tang locating pin engages the vertical slot in the stripper.
7.  Tighten 6mm socket head cap screw to 145 inch lbs (16 N•m).
 - Place retaining ring over tang.
8.  Place assembly into a vise or fixture so that it can be compressed axially approximately .040(1.0). The compression exposes the stripper body's internal retaining ring groove. Groove must be completely visible. Note: the punch point opening must not be obstructed and the punch must be able to protrude through stripper face. Insert retaining ring by slowly coiling it into the retaining ring groove. Release tang and remove assembly from the vise or fixture. When properly assembled with a new punch, the stripper lead should be .030 (0.75).
9. 

Disassembly

1. Place into assembly fixture (VDPC0) so that it can be compressed axially approximately .040(1.0). The compression relieves the spring pressure on the retaining ring. Note: the punch point opening must not be obstructed and the punch must be able to protrude through stripper face.
2. Remove retaining ring by slowly uncoiling it from the retaining ring groove. Clean retaining ring groove of dirt or obstructions prior to re-assembly.
3. Remove assembly from vise or fixture.
4. Loosen 6mm socket head cap screw with a 5mm hex wrench. Punch can now be sharpened or replaced.

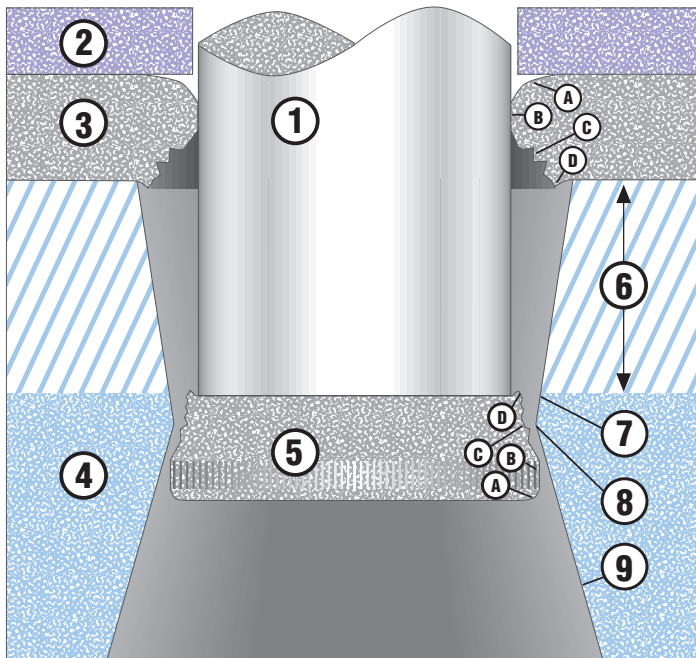
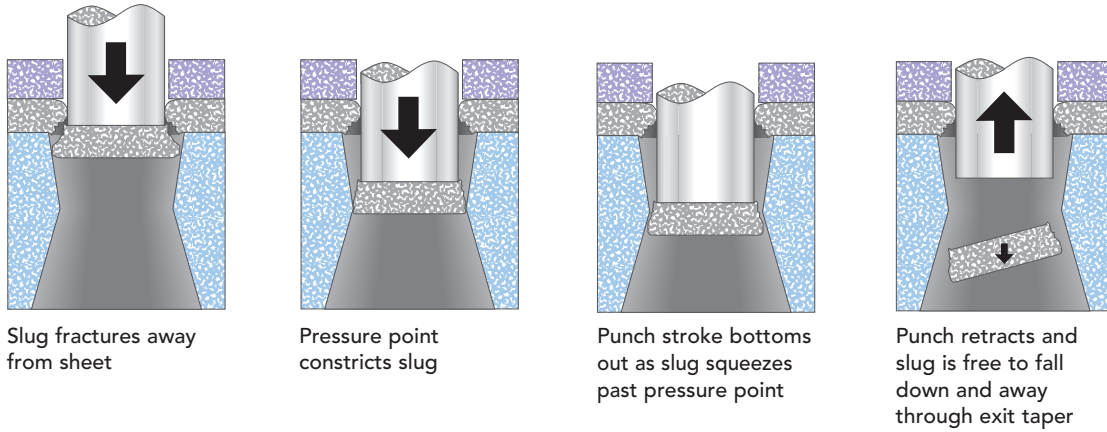
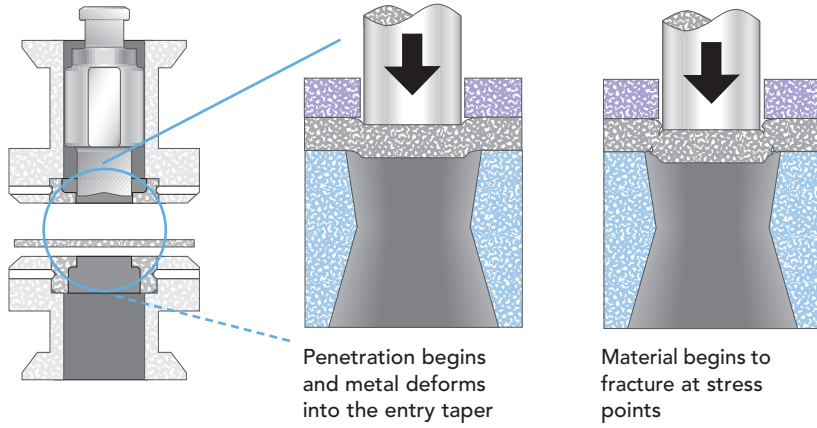


Dimensions in inches (millimeters)

SLUG FREE® DIE OPERATION

10

SLUG FREE® DIES



Slug Free® Die Components

1. Punch
2. Stripper
3. Material
4. Slug Free® Die
5. Slug
6. Die Penetration
7. Entry - Constricting Taper
8. Pressure Point
9. Exit - Relief Taper

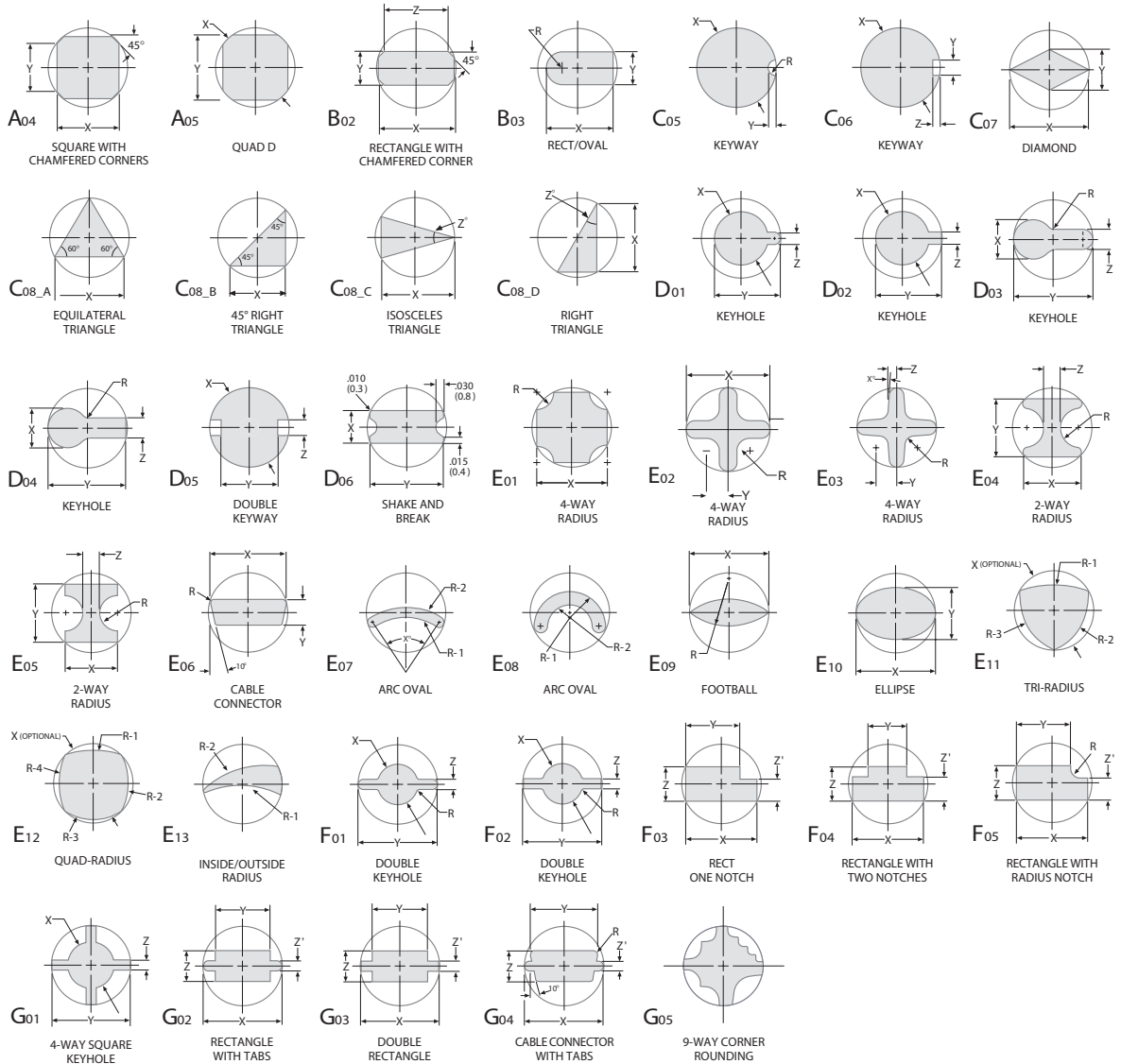
Hole/Slug Geometry

- A. Rollover
- B. Burnish
- C. Fracture
- D. Burr

Dimensions in inches (millimeters)



COMMON SPECIAL SHAPES



When ordering a special shape, please provide all dimensions noted above for the corresponding shape. Special shape drawings are also available on mate.com.

NOTE:

Shape possibilities are not limited to those shown on this page; Mate can manufacture any shape you require. Just contact a Mate customer service representative. A detailed drawing of the shape (sent via fax or e-mail) will be required.

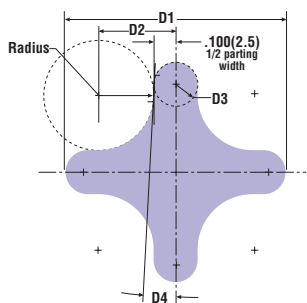


SPECIAL SHAPE APPLICATIONS

12

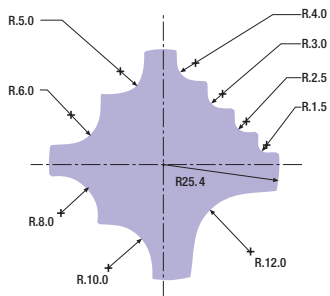
SPECIAL SHAPE APPLICATIONS

4-WAY CORNER ROUNDING



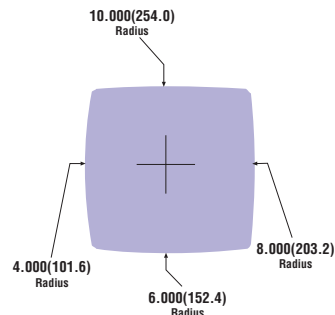
The 4-way corner rounding tool can round all four corners of a piece part without rotating the tooling - use with standard parting tools for piece part separation.

9-WAY CORNER ROUNDING



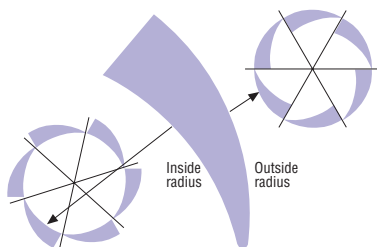
A single 9-way corner rounding tool provides nine popular radii in one tool. Auto indexing selects and rotates the desired radius to round off all corners of a piece part.

QUAD RADIUS



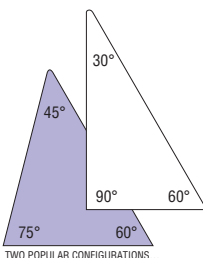
The quad radius tool nibbles large holes with smoother edges and fewer hits than using a round nibbling punch. In effect, smooth round holes not limited to station range.

INSIDE/OUTSIDE RADIUS



This tool's large radii results in blanks with smoother edges produced with fewer hits than with an ordinary radius punch. This tool can be programmed to punch holes with slugs or parts retained in the sheet, yet can be separated easily off the press.

3-WAY CORNER NOTCHING



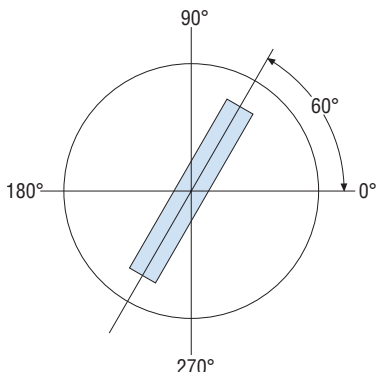
The 3-way notching tool can include angles from 150° to 15° - shown above are two popular arrangements. One tool can provide nine corner options - with auto index in two hits.

SPECIAL SHAPE SOLUTIONS TO OTHER PUNCHING PROBLEMS

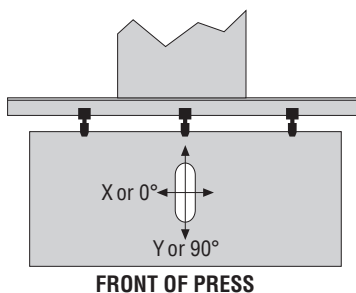
In addition to standard tooling, a few selected multi-purpose punches can fill out a very versatile tooling complement. Some very simple tools, along with auto index press capacity, can perform complex punching operations without resorting to other means to accomplish these tasks.

SPECIAL ANGLE SETTINGS

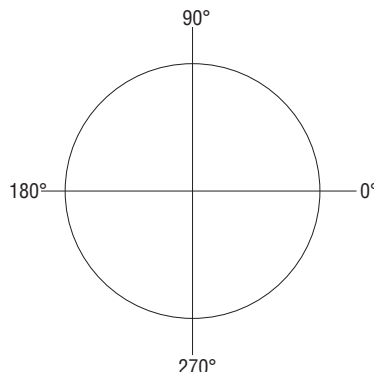
TOP DIE VIEW CARTESIAN COORDINATE SYSTEM



TOP VIEW OF TURRET



PLEASE SKETCH IN SHAPE OF DIE OPENING AND THE ANGLE SETTING



Dimensions in inches (millimeters)



CLUSTER PUNCH ASSEMBLY

FULLY GUIDED CLUSTER PUNCH ASSEMBLY

- Better piece part quality and longer tool life from "on the die stripping" as provided by the fully guided stripper.
- Cluster assembly and die can be set at 0°, 90° 180° and 270°.
- Greater precision and better hole accuracy.
- Also available for auto index blank holder design.

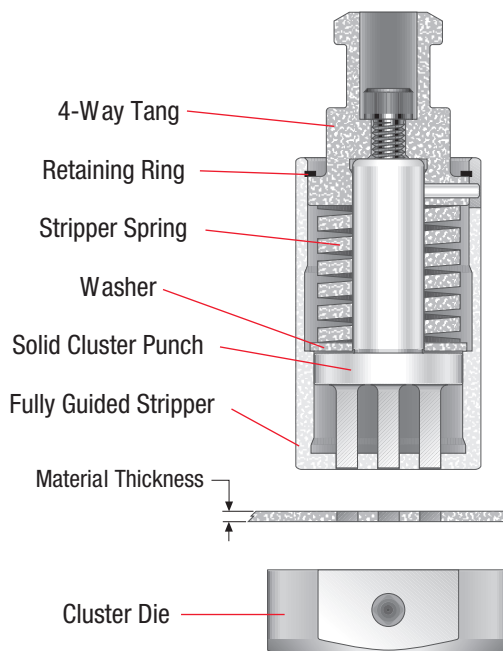
SPRING LOADED CLUSTER PUNCH ASSEMBLY

- A spring-loaded stripper with "on-the-die" performance is built into the punching assembly.
- Fully guided, spring loaded assembly with hardened and ground stripper guide posts are bolted into jig ground pockets in stripper and punch retainer for trouble free operation.
- Low cost replaceable inserts.
- Optional one-piece punch construction available for greater economy .

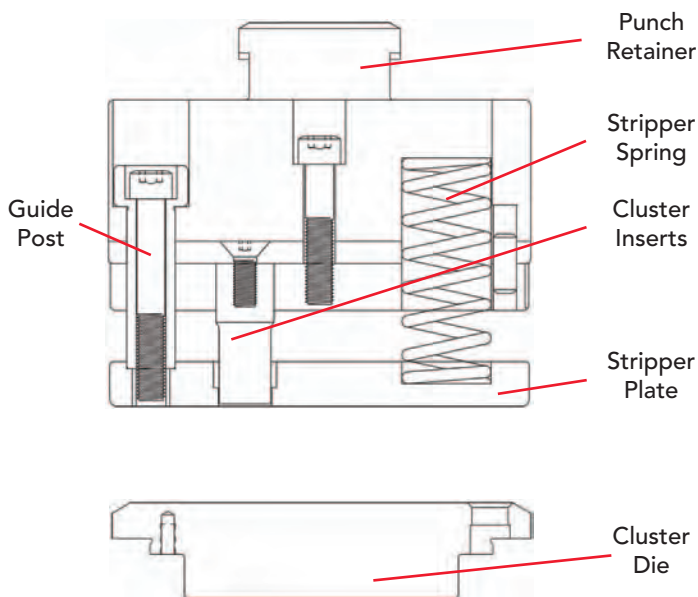
NON-SPRING LOADED CLUSTER PUNCH ASSEMBLY

- Economical design includes replaceable inserts.
- Optional one piece punch construction available for greater economy .
- Larger punching area not limited by stripper posts for more holes in fewer strokes.

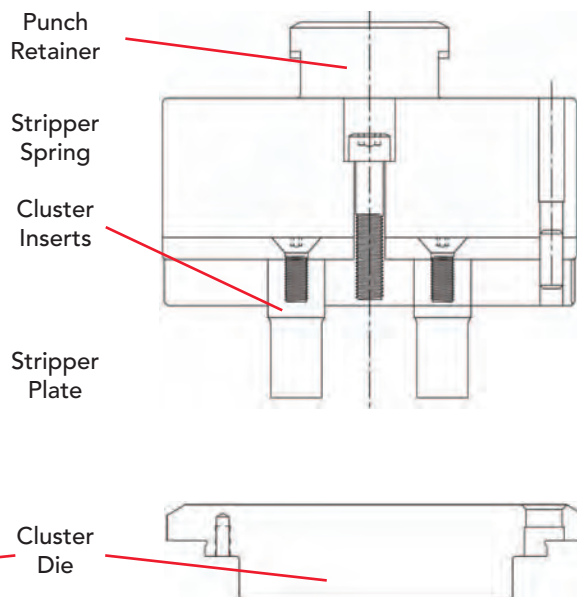
FULLY GUIDED PERFORATING CLUSTER PUNCH ASSEMBLY



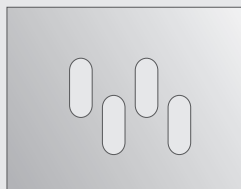
SPRING LOADED/FULLY GUIDED CLUSTER PUNCH ASSEMBLY



NON-SPRING LOADED CLUSTER PUNCH ASSEMBLY

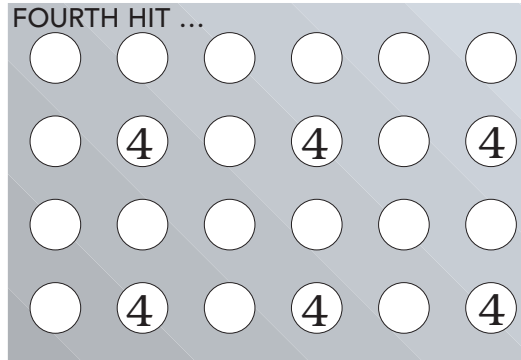
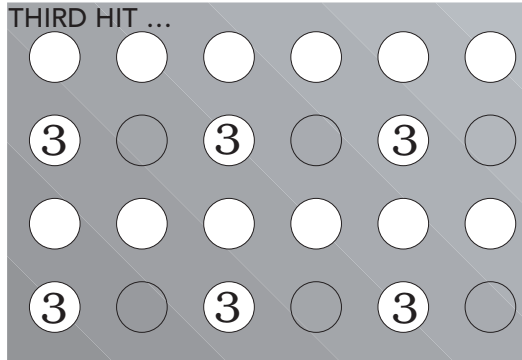
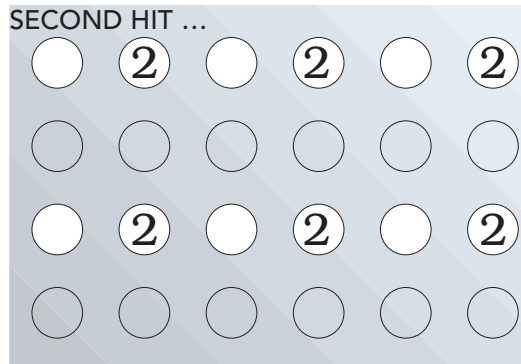
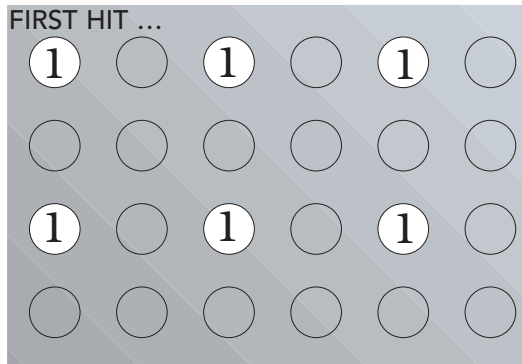


ROUND CLUSTER

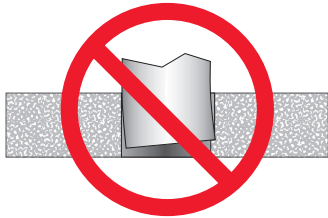


SHAPE CLUSTER

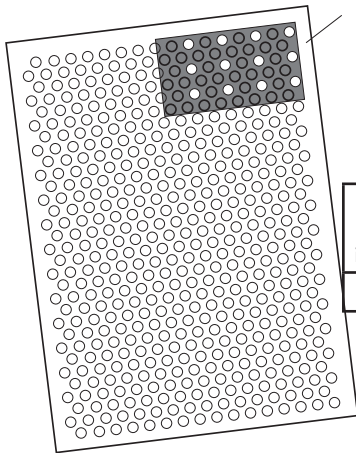
CLUSTER PUNCH NOTES



For greater hole uniformity and flatter sheets, spread the punches to avoid punching adjacent holes in the same hit. Complete the desired pattern with the technique known as bridge hitting.



DO NOT DOUBLE-HIT HOLES. Using the cluster punch to finish missed holes in patterns will cause punches to shave sides of previously punched holes. The great lateral thrust from this shaving shortens punch life. Use a single-hole punch to complete the pattern.



PUNCHING FORCE FORMULA = linear length of cut x material thickness x shear strength = punching force in kilonewtons(kN).

PUNCHING FORCE SHOULD NOT EXCEED 75% PRESS CAPACITY.

EXAMPLE: Grid of .250(6.35) diameter holes spaced on .157(4.0) centers. Area of punch covers 48 holes; punch every 4th hole (12 holes, 4 times). Mild steel .060(1.52) thick. (Linear length of cut = 3.14 x diameter x number of punches)

hole perimeter inches(mm)	X	number punches in cluster	X	material thickness inches(mm)	X	shear strength tons/in ² (kN/mm ²)	X	punching force tons(kN)
.785(19.94)	X	12	X	.06(1.52)	X	25(.345)	X	14.1(125.5)

Spring pressure of the spring-loaded cluster assembly runs under a ton (9 kN) and can be ignored in calculations for machine capacity.



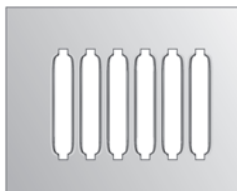
SPECIAL APPLICATIONS



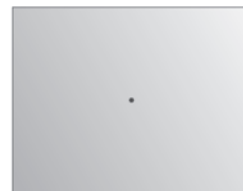
CLUSTER - ROUND



CLUSTER - SHAPE



CARD GUIDE



CENTERPOINT



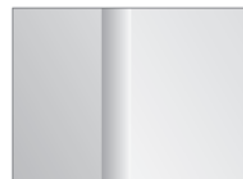
COUNTERSINK - ROUND



COUNTERSINK - SHAPE



EMBOSS - BEADING



EMBOSS - EDGEFORM



EMBOSS - FORMED



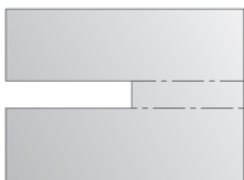
EMBOSS - COLD FORGED



EXTRUSION - TAPPING



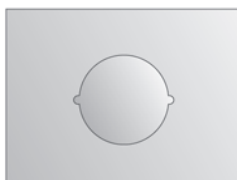
EXTRUSION - FLANGED HOLE



GUIDED SHEARING



HINGE TOOL



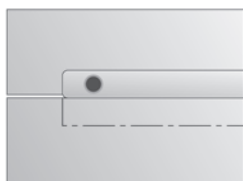
KNOCKOUT



LANCE AND FORM



LOUVER



SCISSOR TOOL™



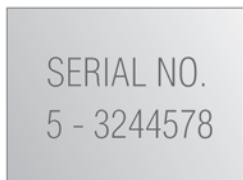
SHEAR BUTTON™



ROLLER BALL™



SHEETMARKER™



STAMPING - ALPHA/NUMERIC



STAMPING - V-LINE



THREAD FORM

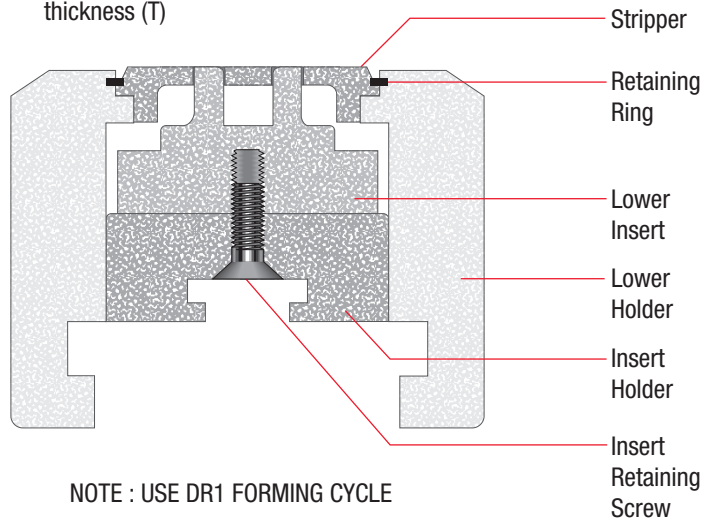
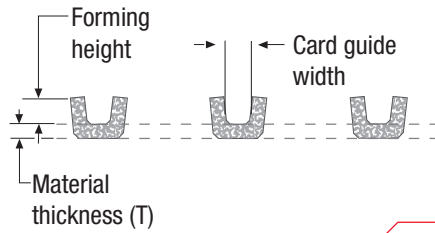
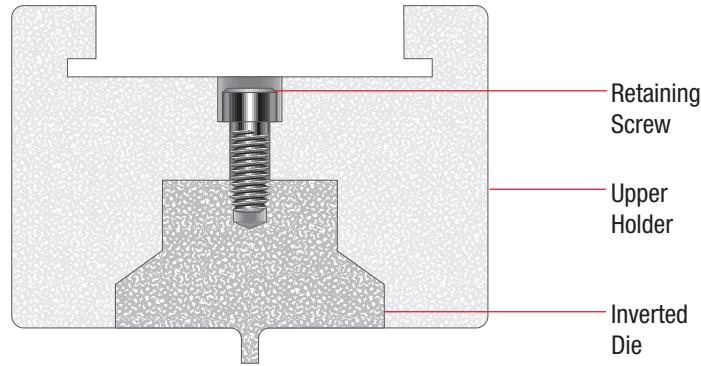


CARD GUIDE ASSEMBLY

BU POSITON 30-35 12 TON

16

CARD GUIDE ASSEMBLY



NOTE : USE DR1 FORMING CYCLE

CARD GUIDE

Use:

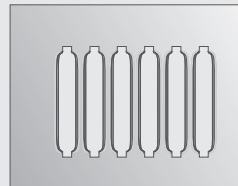
As a retainer for printed circuit boards

Typical Application:

- Material thickness from 0.040(1.00) to 0.078(2.00)
- Maximum recommended top-of-sheet to top-of-form height is 0.125(3.20)

Comments:

- Length of the card is dependent upon station size and machine tonnage
- Also available as a continuous form to increase productivity and flexibility

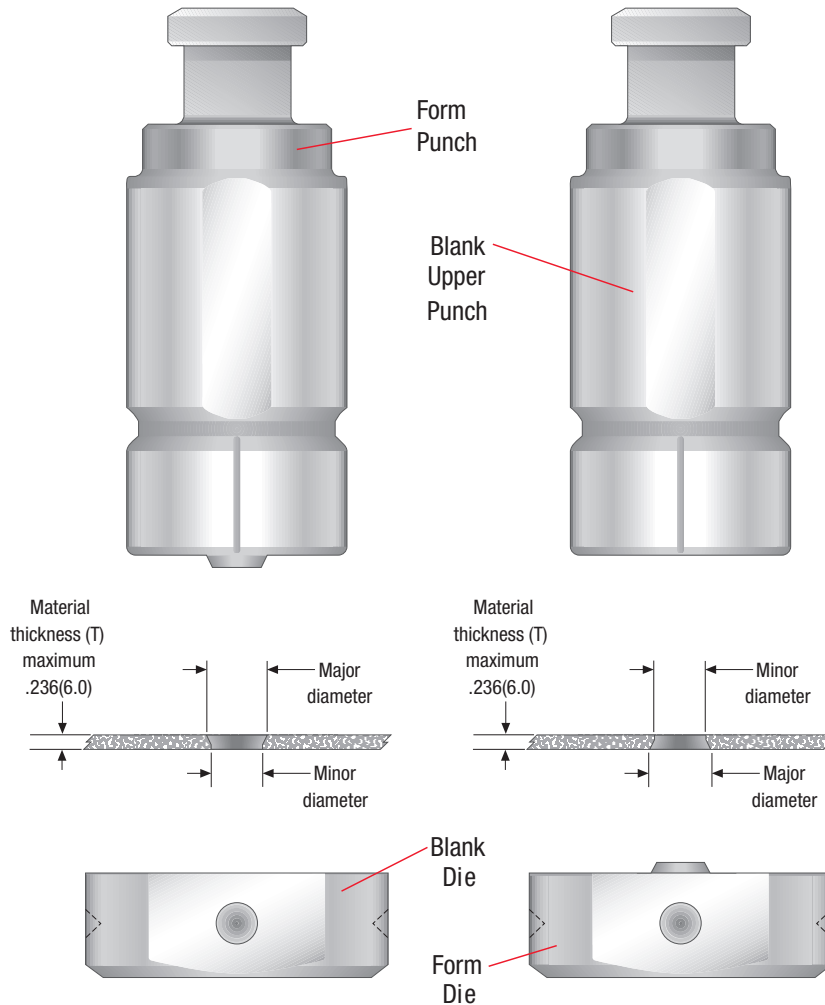


Dimensions in inches (millimeters)

COUNTERSINK ASSEMBLY

CONTERSINK DOWN
1-20, 41-76 7 TON

COUNTERSINK UP
1-20, 41-76 7 TON



COUNTERSINK

Use:

Allows screw and rivet head to sit flush or below the surface of the material

Typical Application:

- Material thickness from 0.048(1.22) to 0.250(6.35), dependent upon press tonnage capacity

Comments:

- The shoulder (dedicated) style is generally ordered for one material thickness and screw size
- The shoulder style coins the surrounding area producing a clean flat countersink with minimal burring



SHAPE

ROUND

Dimensions in inches (millimeters)

EMBOSSING ASSEMBLY

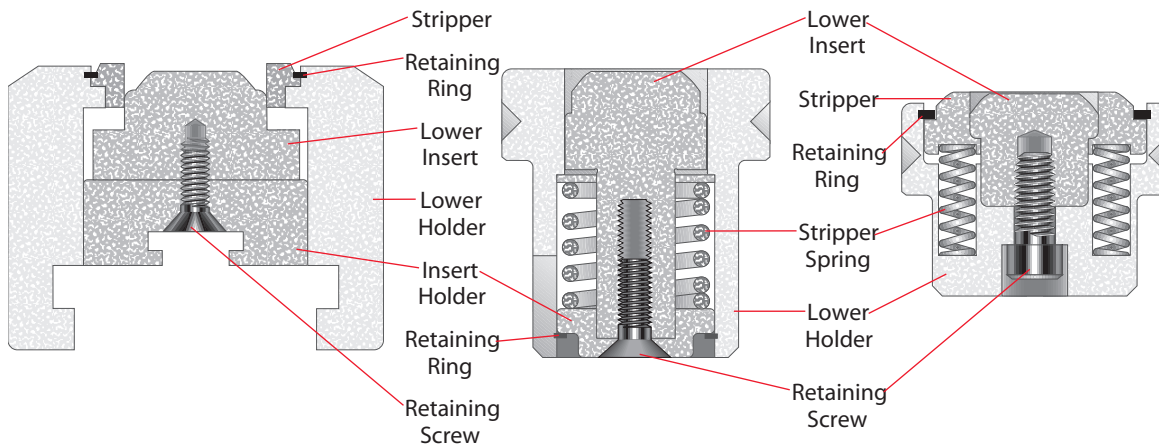
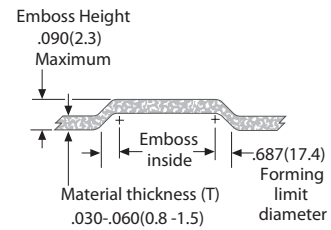
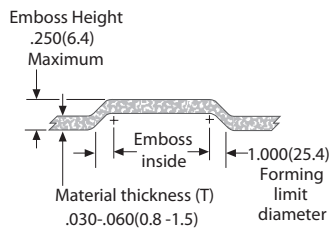
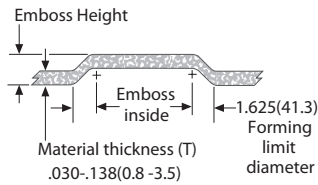
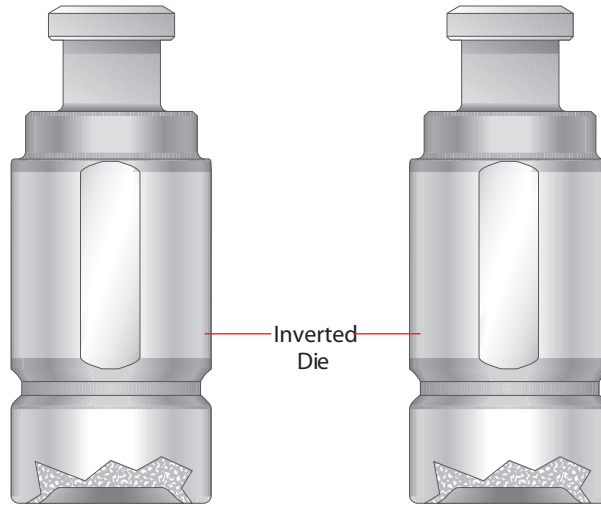
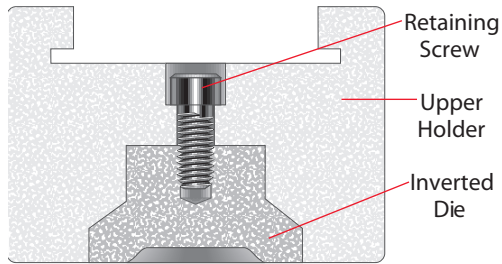
18

BU POSITION
30-35 12 TON

EI POSITION
1-20, 41-76 7 TON

1-20, 41-76 7 TON

NOTE : USE DR1 FORMING CYCLE
FOR BU AND EI POSITIONS



Dimensions in inches (millimeters)

EMBOSS BEADING ASSEMBLY

19

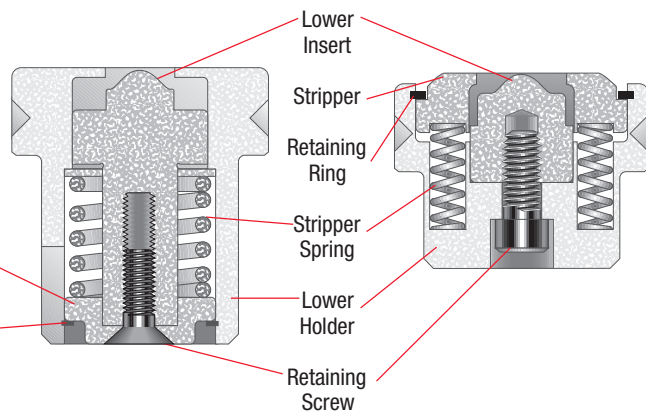
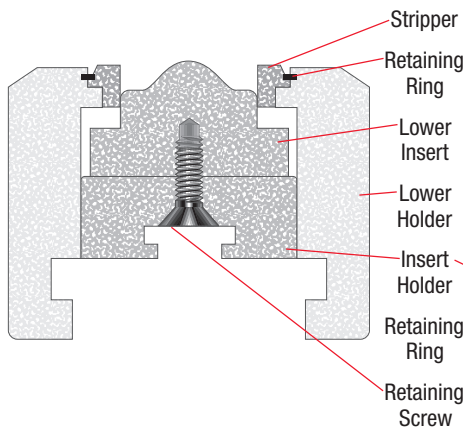
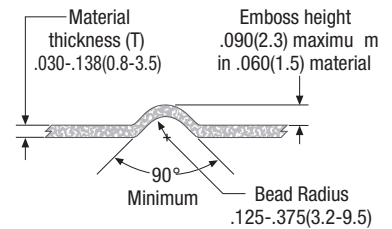
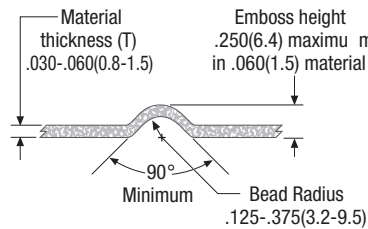
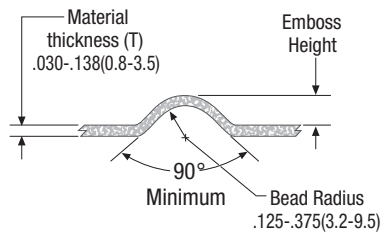
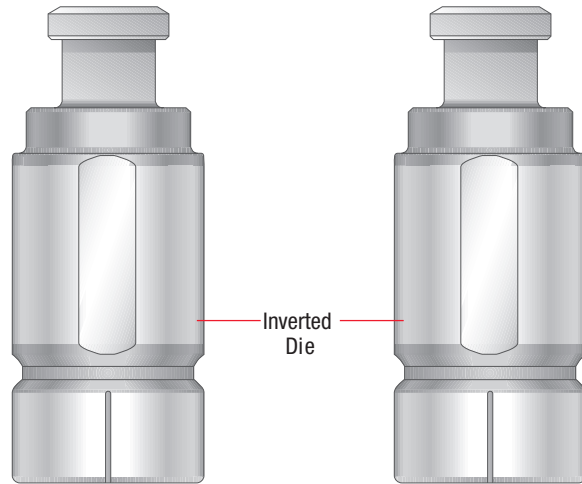
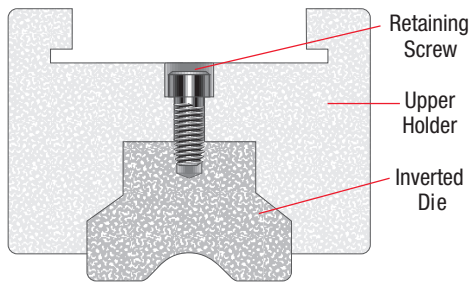
EMBOSS BEADING ASSEMBLY

BU POSITION
30-35 12 TON

EI POSITION
1-20, 41-76 7 TON

1-20, 41-76 7 TON

NOTE : USE DR1 FORMING CYCLE FOR BU AND EI POSITIONS



Dimensions in inches (millimeters)

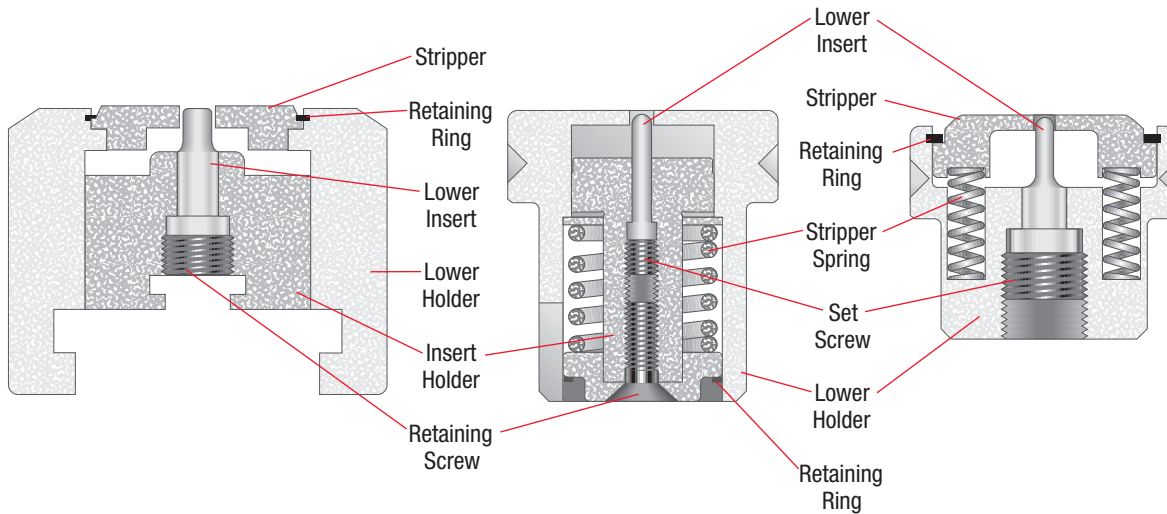
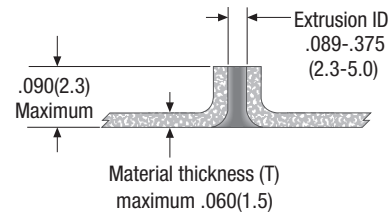
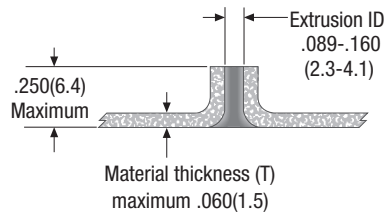
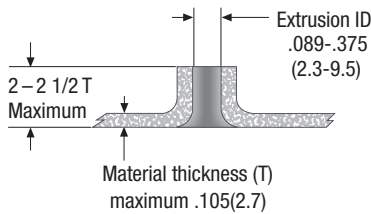
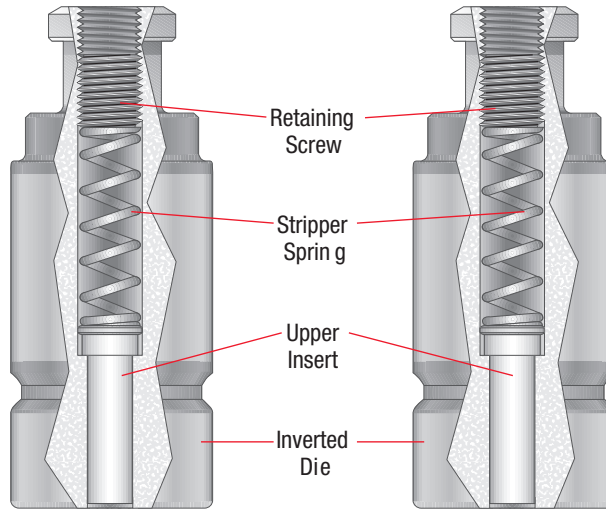
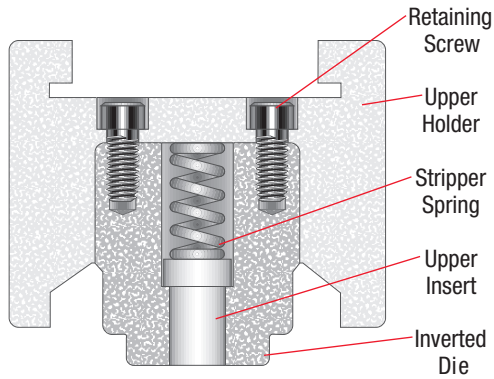
EXTRUSION ASSEMBLY PRE-PIERCE AND FORM

BU POSITION
30-35 12 TON

EI POSITION
1-20, 41-76 7 TON

1-20, 41-76 7 TON

NOTE : USE DR1 FORMING CYCLE
FOR BU AND EI POSITIONS



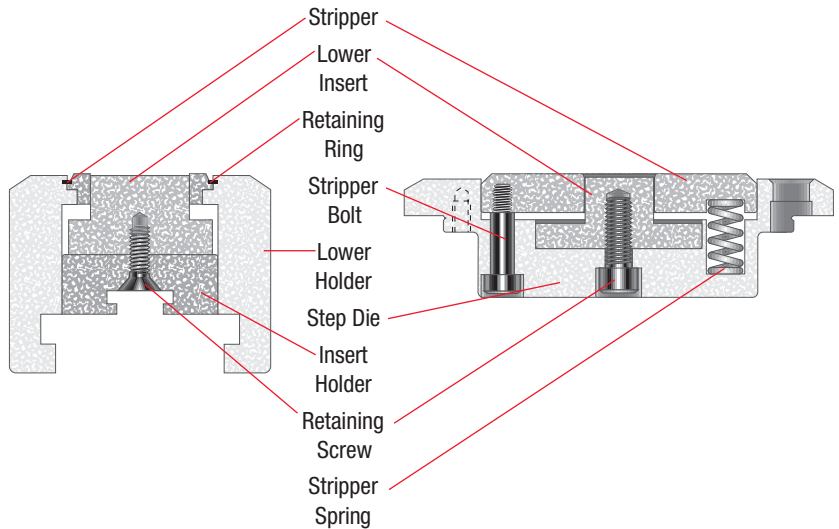
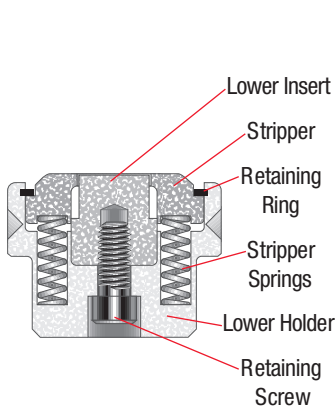
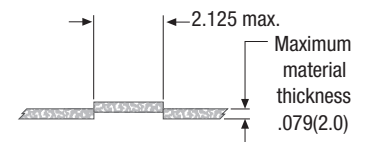
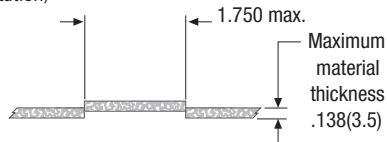
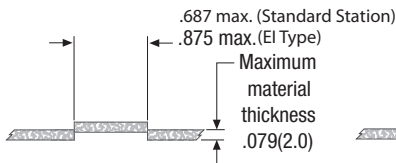
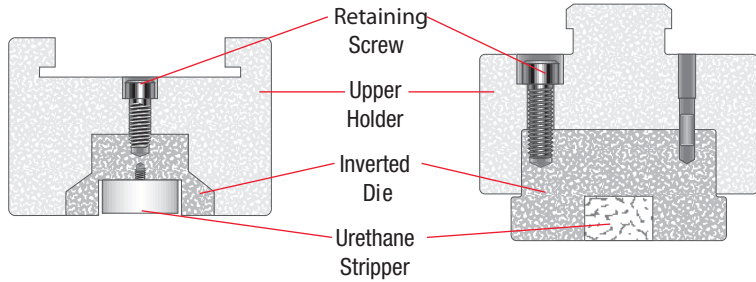
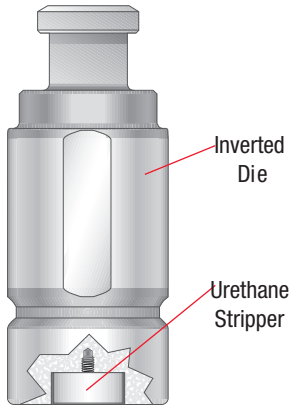
Dimensions in inches (millimeters)

KNOCKOUT ASSEMBLY

SINGLE KNOCKOUT*
1-20 41-76
7 TON

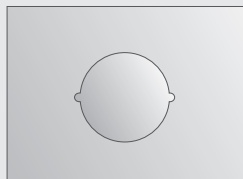
SINGLE KNOCKOUT
BU POSITION 30-35
12 TON

SINGLE KNOCKOUT
BU POSITION 30-35
12 TON 70X90



NOTE : USE DR1 FORMING CYCLE

*ALSO AVAILABLE FOR EI POSITION (UPFORMING)



Dimensions in inches (millimeters)

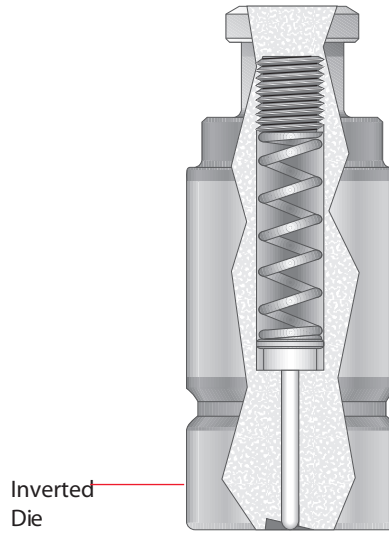
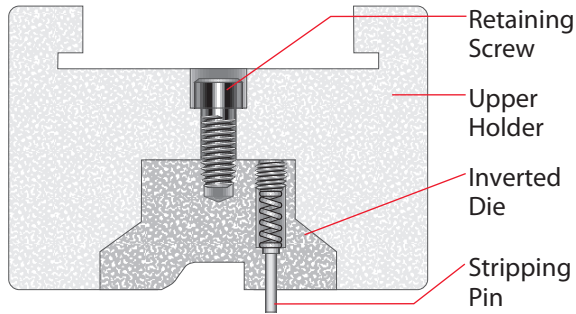
LANCE AND FORM ASSEMBLY

BU POSITION 30-35 12 TON

1-20, 41-76 7 TON*

22

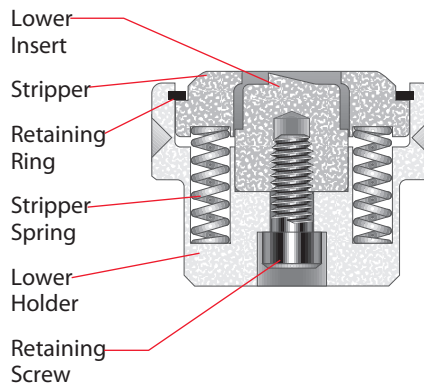
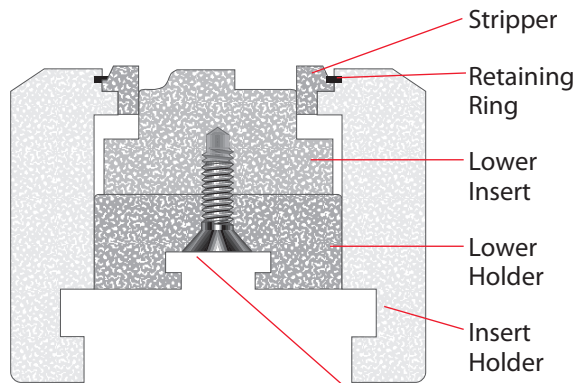
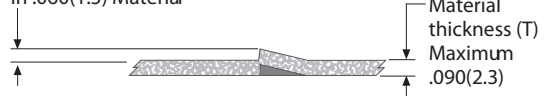
LANCE AND FORM ASSEMBLY



Forming height
Maximum .250(6.4)



.090(2.3) Maximum
in .060(1.5) Material



NOTE : USE DR1 FORMING CYCLE

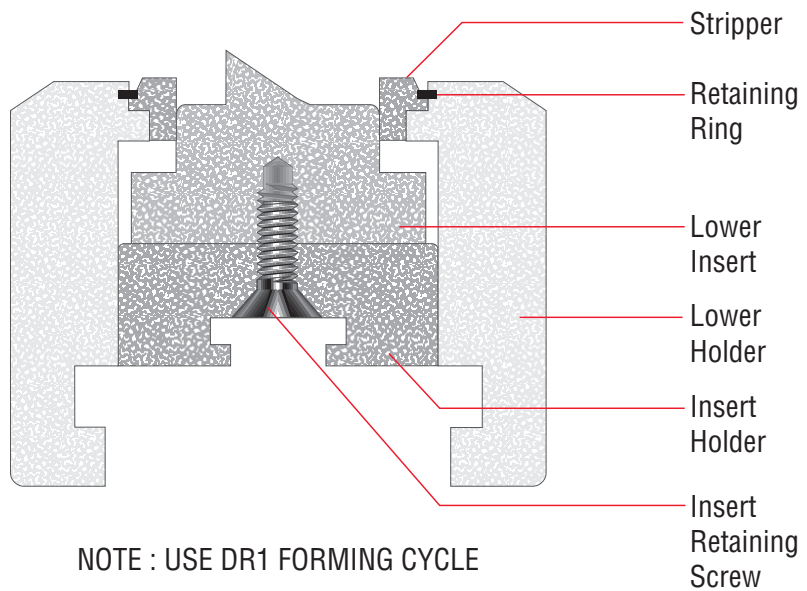
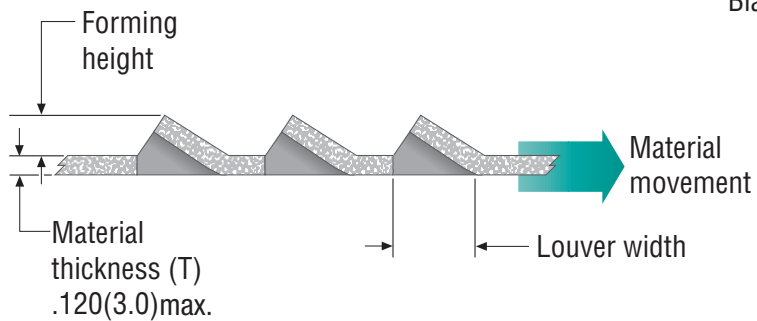
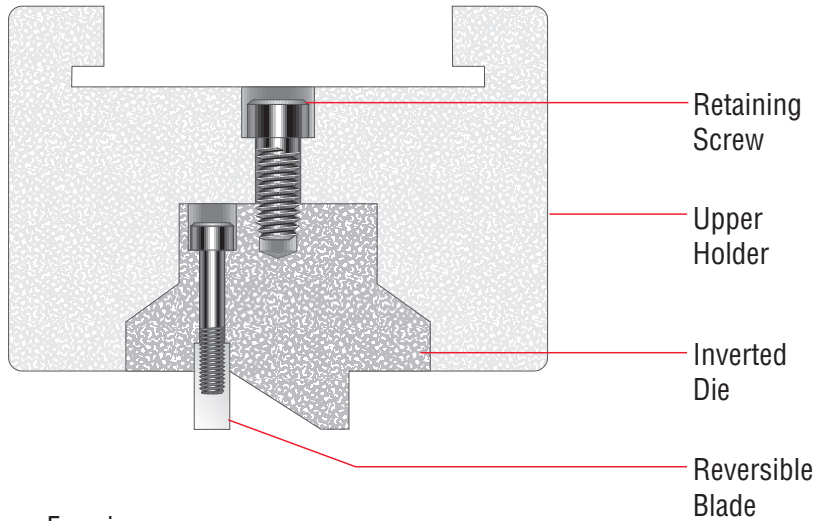
*ALSO AVAILABLE FOR EI POSITION (UPFORMING)



Dimensions in inches (millimeters)

LOUVER ASSEMBLY

BU POSITON 30-35 12 TON



NOTE : USE DR1 FORMING CYCLE



Dimensions in inches (millimeters)

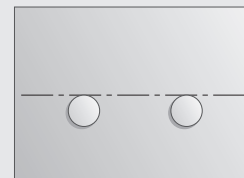
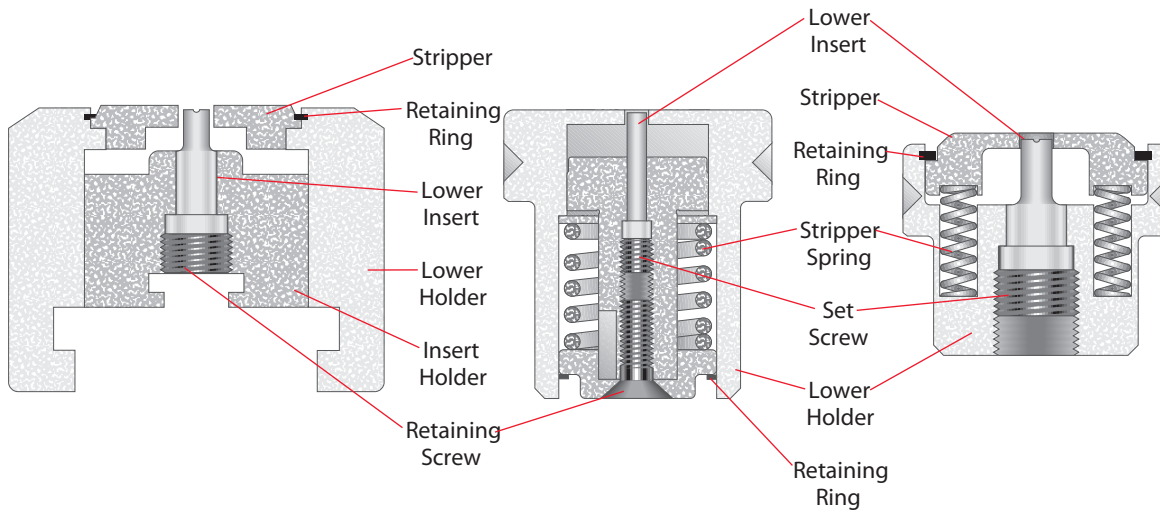
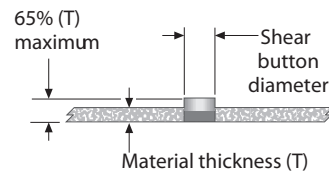
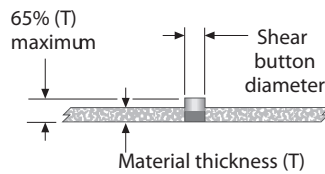
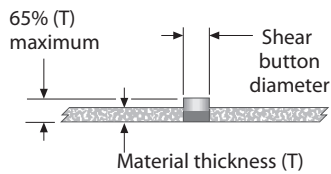
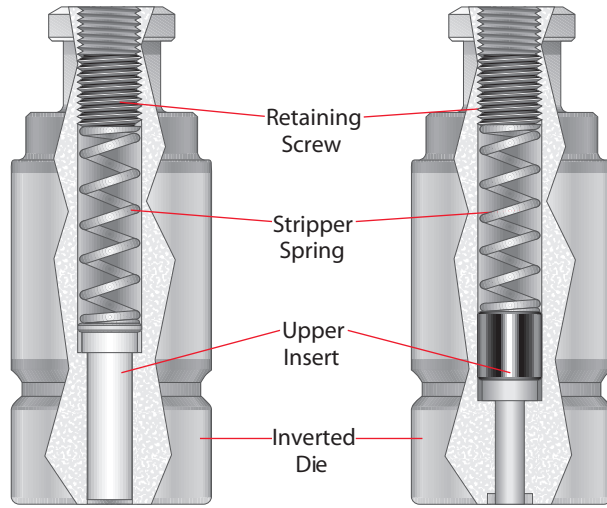
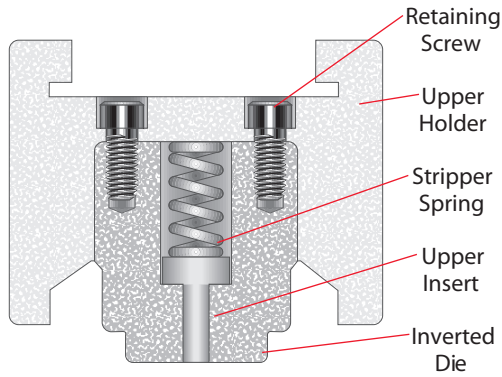
SHEARBUTTON ASSEMBLY

BU POSITION
30-35 12 TON

EI POSITION
1-20, 41-76 7 TON

1-20, 41-76 7 TON

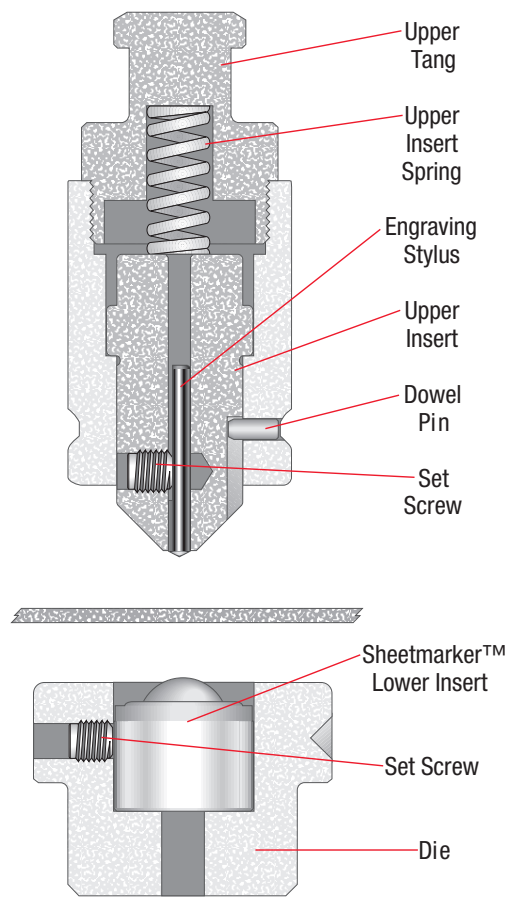
NOTE: USE DR1 FORMING CYCLE FOR BU AND EI POSITIONS



Dimensions in inches (millimeters)

SHEETMARKER™ ASSEMBLY

33 mm POSITION
1-20, 41-76 7 TON



SHEETMARKER™

Use:

For markings or etchings on the surface of sheet metal. The tool uses a diamond pointed insert in a spring loaded holder to create the markings.

Typical Application:

- The Sheetmarker tool can be used on all material types and thicknesses

Comments:

- A wide variety of results can be produced ranging from very light etching to deep grooves on the sheet
- Variations are achieved with a combination of three spring pressures and two insert point angles
- The press must be capable of holding the ram down while the sheet is moved in the x and/or y axis



Dimensions in inches (millimeters)

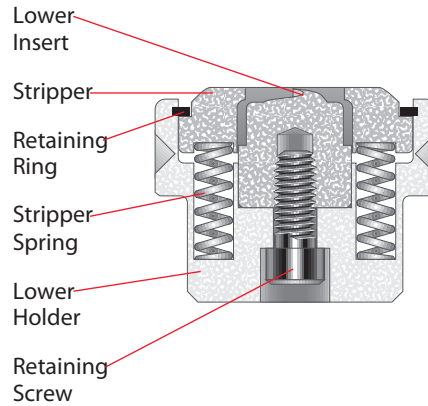
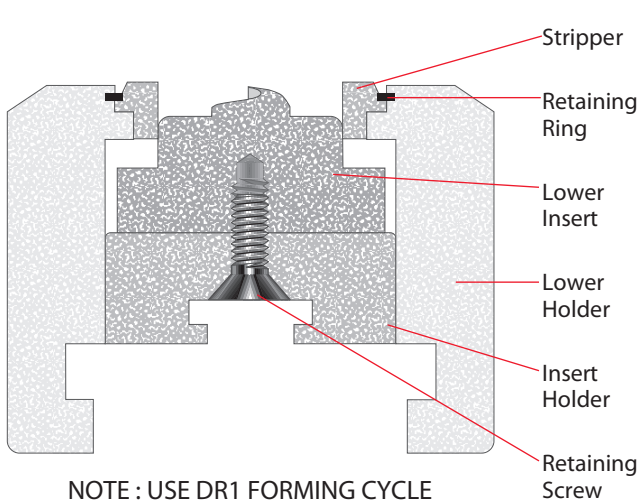
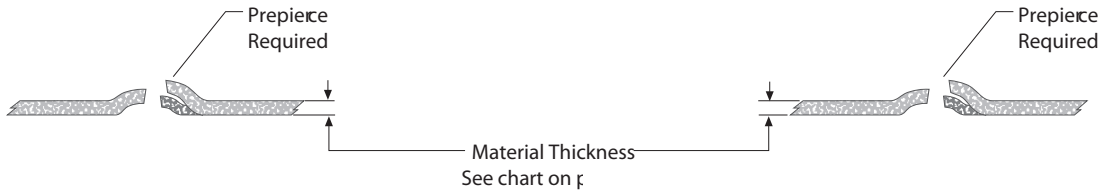
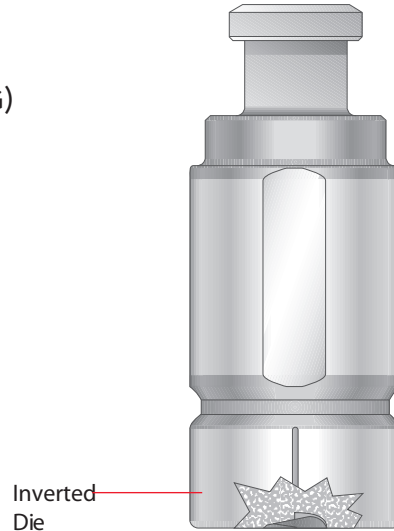
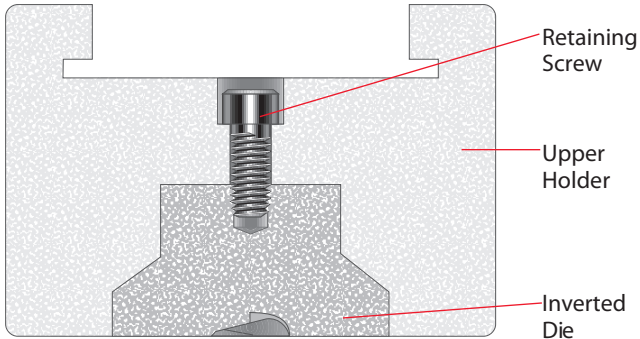
THREAD FORM ASSEMBLY

BU POSITION 30-35 12 TON

1-20, 41-76 7 TON*

26

* ALSO AVAILABLE FOR
EI POSITION (UPFORMING)



NOTE : USE DR1 FORMING CYCLE

THREAD FORM ASSEMBLY

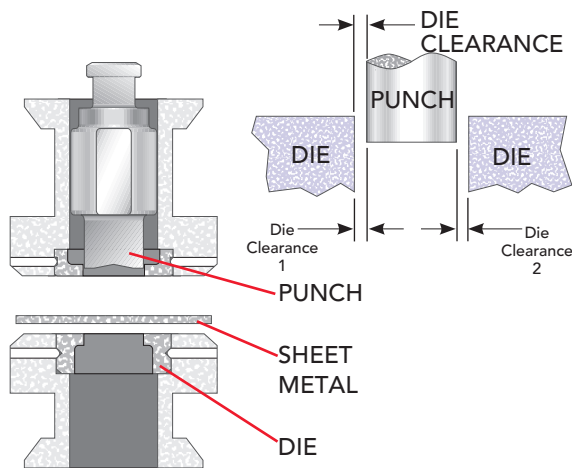


Dimensions in inches (millimeters)

DIE CLEARANCE AND HOLE QUALITY

WHAT IS DIE CLEARANCE ?

Die clearance is equal to the space between punch and die when the punch enters the die opening.



Total Die Clearance = Die clearance both sides of Punch
 Total Die Clearance = Die Clearance 1 + Die Clearance 2

RECOMMENDED DIE CLEARANCE

DIE CLEARANCE in terms of percent (%) of material thickness :

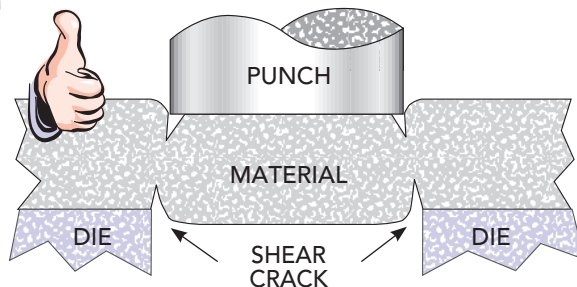
Minimum Life Clearance	15%
Optimum Clearance	20 - 25%
Extended Life Clearance	30%

MATE always refers to TOTAL DIE CLEARANCE — NOT clearance per side.

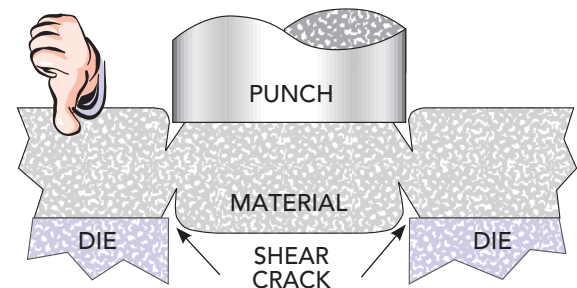
Aluminum		Copper	
Material Thickness	Total Clearance	Material Thickness	Total Clearance
.040" (1.0 mm)	.006" (0.15 mm)	.040" (1.0 mm)	.006" (0.15 mm)
.060" (1.5 mm)	.009" (0.23 mm)	.060" (1.5 mm)	.009" (0.23 mm)
.080" (2.0 mm)	.012" (0.30 mm)	.080" (2.0 mm)	.012" (0.30 mm)
.100" (2.5 mm)	.018" (0.45 mm)	.100" (2.5 mm)	.018" (0.45 mm)
.120" (3.0 mm)	.024" (0.60 mm)	.120" (3.0 mm)	.024" (0.60 mm)
.137" (3.5 mm)	.028" (0.70 mm)	.137" (3.5 mm)	.028" (0.70 mm)

Mild Steel		Stainless Steel	
Material Thickness	Total Clearance	Material Thickness	Total Clearance
.040" (1.0 mm)	.008" (0.20 mm)	.040" (1.0 mm)	.008" (0.15 mm)
.060" (1.5 mm)	.012" (0.30 mm)	.060" (1.5 mm)	.016" (0.40 mm)
.080" (2.0 mm)	.016" (0.40 mm)	.080" (2.0 mm)	.020" (0.50 mm)
.100" (2.5 mm)	.020" (0.50 mm)	.100" (2.5 mm)	.025" (0.64 mm)
.120" (3.0 mm)	.030" (0.75 mm)	.120" (3.0 mm)	.035" (0.90 mm)
.137" (3.5 mm)	.034" (0.85 mm)	.137" (3.5 mm)	.040" (1.00 mm)

WHY USE PROPER DIE CLEARANCE ?

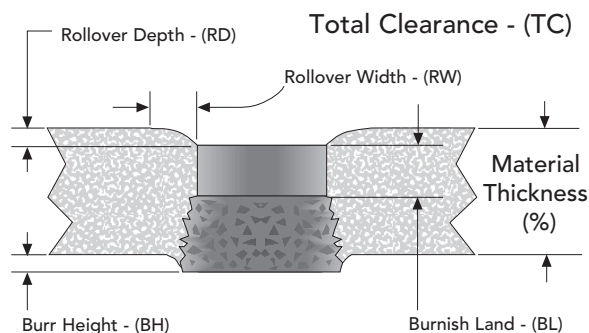


OPTIMUM CLEARANCE — shear cracks join, balancing punching force, piece part quality and tool life.



CLEARANCE TOO SMALL — secondary shear cracks are created, raising punching force and shortening tool life.

ANATOMY OF A PUNCHED HOLE



EFFECT OF TOTAL CLEARANCE AS A PERCENT (%) OF MATERIAL THICKNESS

TC	RD	RW	BH	BL
10%	10%	50%	15%	75%
15%	12%	40%	10%	55%
25%	16%	45%	6%	50%
35%	20%	50%	6%	45%



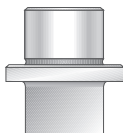
Dimensions in inches (millimeters)

CALCULATING PUNCHING FORCE

PUNCHES WITHOUT SHEAR

FORMULA:

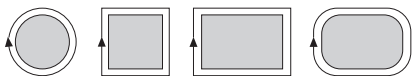
- Punch perimeter in inches(mm) x
- Material thickness in inches(mm) x
- Material shear strength in lbs/in²(kN/mm²) =
- Punching force in lbs(kN)



To convert to Imperial Tons: divide lbs by 2000

To convert to Metric Tons: divide kN by 9.81

PUNCH PERIMETER

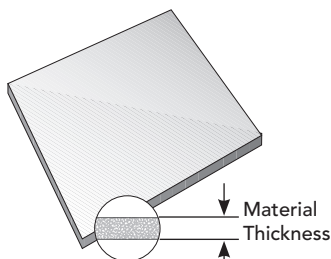


Perimeter is simply the linear distance around a punch of any shape. For a round punch, this would be the circumference.



For a cluster punch, the perimeter would be the sum of the linear distances of each of the punch components.

MATERIAL THICKNESS



Material thickness is the width of the workpiece or sheet that the punch must penetrate in making a hole. Generally the thicker the material the more difficult it is to punch, but this isn't the only factor.

MATERIAL SHEAR STRENGTH

Material shear strength is a measure of maximum internal stress before a given material begins to shear. This property is determined by metallurgical science and expressed as a numerical factor. Popular materials like aluminum, brass, mild steel and stainless steel have approximate shear strengths of:

MATERIAL :	SHEAR STRENGTH-psi/in ² (kN/mm ²):
Aluminum 5052 H32	25000(0.1724)
Brass	35000(0.2413)
Mild Steel	50000(0.3447)
Stainless	75000(0.5171)

EXAMPLE PUNCHING FORCE PROBLEM

Example: using 20.0 mm square punch into 3.0 mm mild steel: punch perimeter is 80.0 mm, material thickness is 3.0 mm, material shear strength is 0.3447 kN/mm².

$$80.0 \text{ mm} \times 3.0 \text{ mm} \times 0.3447 \text{ kN/mm}^2 = 82.7 \text{ kN}$$

PUNCHES WITH SHEAR

FORMULA:

- Punch perimeter in inches(mm) x
- Material thickness in inches(mm) x
- Material shear strength in lbs/in²(kN/mm²) x
- SHEAR FACTOR =
- Punching force in lbs(kN)



PUNCHES WITH SHEAR — CONSIDERATION:

Punch shear tends to lessen punching force. The degree to which this happens is the SHEAR FACTOR. Shear factor does change as the punch becomes less sharp. Note that the factory does not recommend that you use shear to bring punching force within press capacity.

SHEAR FACTORS for material .050"(1.2 mm) to .250"(6.4 mm) for punches with shear

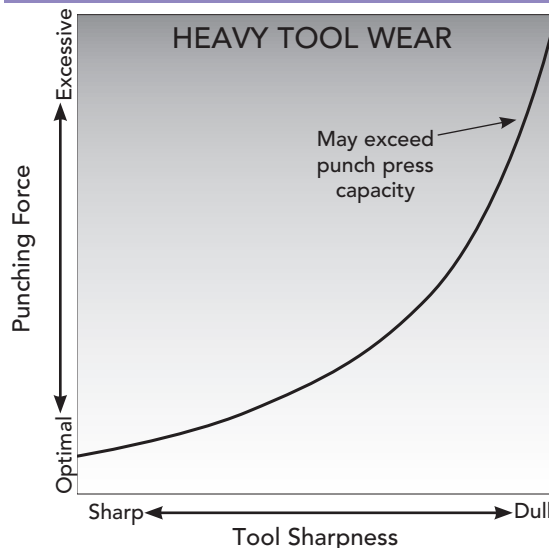
Material Thickness	.050"	.060"	.075"	.105"	.120"
Thickness	1.2 mm	1.5 mm	1.9 mm	2.7 mm	3.0 mm
Shear Depth: .060(1.5)	.50	.50	.58	.72	.75

Material Thickness	.135"	.165"	.190"	.250"
Thickness	3.4 mm	4.2 mm	4.8 mm	6.4 mm
Shear Depth: .060(1.5)	.78	.83	.86	.90

EXAMPLE: Formula for punching with shear (20.0 mm punch) 80.0 mm x 3.0 mm x 0.3447 kN/mm² x .75 = 62.0 kN

NOTE: The factory does not recommend using shear to bring punching force within press capacity because dulling tool edges quickly raise punching force and press capacity may be exceeded.

PUNCHING FORCE CHANGES AS TOOLS BECOME DULL





MATE[®]
M
PRECISION
TOOLING
mate.com



The Mate logo is a registered trademark of Mate Precision Tooling Inc. in the USA, Canada, China, Germany, India, Sweden, and U.K. All trademark names mentioned in this document are the property of their respective owners.

©2010 Mate Precision Tooling Inc. • 10/10 • LIT00828

Mate Tooling Lasts Longer

1295 Lund Boulevard, Anoka, Minnesota 55303 USA
Call 800.328.4492 (763.421.0230) • Fax 800.541.0285 (763.421.0285) • mate.com